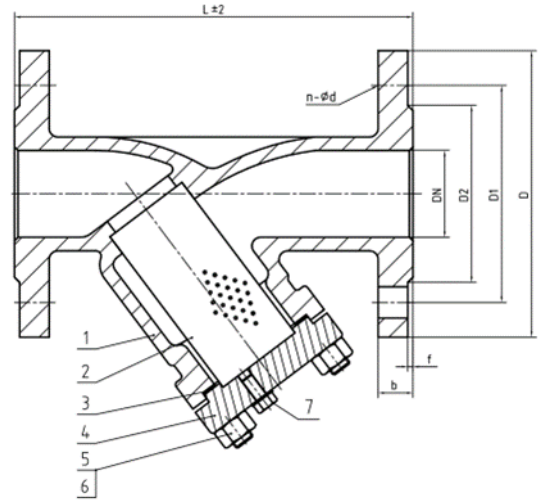


## CAST STEEL Y-STRAINER FLANGE END PN40

Model: ARV-205FE(D)-PN40



### TECHNICAL DATA

#### SPECIFICATION STANDARDS

Design according to: EN 12516

Face to face dimension: EN 558-1

Flange end standard: EN 1092 ( DIN PN40 )

Inspection and testing standard: EN 12266

Nominal pressure: 4.0 MPa

Test pressure shell: 6.0 MPa

Test pressure seal: 4.4 MPa

Working temperature: Max 425°C

Applicable medium: Water, Steam, Oil, ETC...

#### STANDARD MATERIALS OF MAIN PARTS

ITEM	PART NAME	MATERIAL
1	BODY	CAST STEEL ( GS-C25/ 1.0619 )
2	SCREEN	SS304
3	GASKET	304+GRAPHITE
4	BONNET	CAST STEEL
5	BOLT	A193-B7
6	NUT	A194-2H
7	PLUG	A105

### DIMENSION (mm)

DN	L	D	D1	D2	b	f	n-Ød
DN15	130	95	65	45	16	2	4-Ø14
DN20	150	105	75	58	18	2	4-Ø14
DN25	160	115	85	68	18	2	4-Ø14
DN32	180	140	100	78	18	2	4-Ø18
DN40	200	150	110	88	18	3	4-Ø18
DN50	230	165	125	102	20	3	4-Ø18
DN65	290	185	145	122	22	3	8-Ø18
DN80	310	200	160	138	24	3	8-Ø18
DN100	350	235	190	162	24	3	8-Ø22
DN125	400	270	220	188	26	3	8-Ø26
DN150	480	300	250	218	28	3	8-Ø26
DN200	600	375	320	285	34	3	12-Ø30
DN250	730	450	385	345	38	3	12-Ø33
DN300	850	515	450	410	42	3	16-Ø33
DN350	980	580	510	465	46	3	16-Ø36
DN400	1100	660	585	535	50	3	16-Ø39