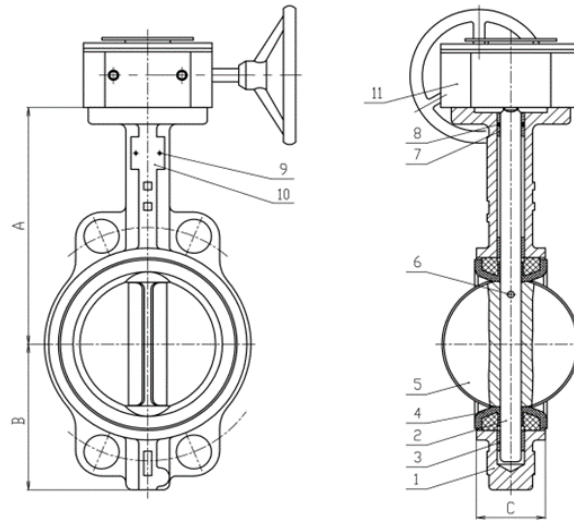


DUCTILE IRON WAFER TYPE BUTTERFLY VALVE, UNIVERSAL, GEAR OPERATOR

Model: DBV-G-UF-PN16



Technical Data

Specification Standards:

Design and Manufacture: BS 5163

Face to face Dimension: Manufacture Standard

Flange End: DIN, BS, JIS, ANSI

Features: Wafer type Gear Connections

Working Pressure: PN16

Test Pressure Shell: 24 Kgf/cm²

Seat: 17.6 Kgf/cm²

Working Temperature: Max 120°C

Applicable Medium: 'Water

Material

NO	NAME	MATERIAL
1	BODY	DUCTILE IRON
2	SHAFT	SS420
3	BUSHING (LONG)	PTFE
4	SEAT	EPDM/ NBR
5	DISC	CF8
6	TAPER PIN	SS316
7	BUSHING (SHORT)	PTFE
8	O RING	EPDM
9	PLATE RIVET	ALUMINIUM
10	PLATE	ALUMINIUM
11	GEAR BOX	

DIMENSIONS

SIZE		A	B	C
IN	DN			
2"	DN50	156	80	42.04
2 1/2"	DN65	162	89	44.68
3"	DN80	170	95	45.21
4"	DN100	185	114	52.07
5"	DN125	207	127	54.36
6"	DN150	216	139	55.75
8"	DN200	256	175	60.58
10"	DN250	248	203	65.63
12"	DN300	280	242	76.9
14"	DN350	368	267	75