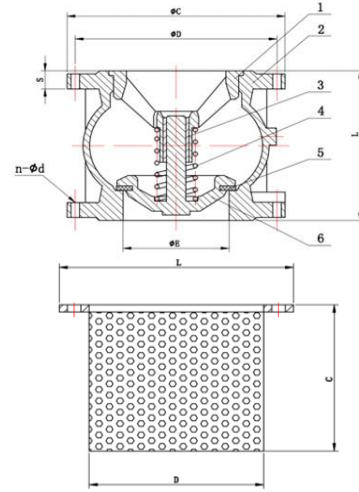


## DUCTILE IRON EPOXY FOOT VALVE JIS10K

Model: AFV-FE



### TECHNICAL DATA

#### SPECIFICATION STANDARDS

Design according to: EN 12334, ASME B16.1
Face to face standard: Not Standard lized
Flange end standard: JIS10K
Inspection and testing standard: EN 12516, EN 12266
Nominal pressure: 1.6 MPa
Test pressure shell: 2.4 MPa
Test pressure seal: 1.76 MPa
Working temprature: Max 80°C
Applicable medium: Water

#### STANDARD MATERIALS OF MAIN PARTS

ITEM	PART NAME	MATERIAL
1	GUIDE	DUCTILE IRON
2	BODY	DUCTILE IRON
3	GUIDING STEM	F4
4	SPRING	SS316
5	SEAL	EPDM/ NBR
6	DISC	DUCTILE IRON
7	SCREEN	SS304/ SS316

### DIMENSION (mm)

DN	L	ØC	ØD	ØE	S	n-Ød
DN50	100	165	120	50	17	4-Ø19
DN65	120	185	140	65	17	4-Ø19
DN80	140	200	150	80	19	8-Ø19
DN100	170	220	175	101	21	8-Ø19
DN125	200	250	210	127	23	8-Ø19
DN150	230	285	240	145	23	8-Ø23
DN200	301	340	290	194	27	12-Ø23
DN250	370	405	355	245	29	12-Ø28
DN300	410	460	400	300	29	12-Ø28
DN350	473	520	445	344	30	16-Ø28

### DIMENSION SCREEN (mm)

DN	L	C	D
DN50	156	80	111
DN65	176	100	131
DN80	192	120	148
DN100	212	150	168
DN125	242	175	198
DN150	275	200	222
DN200	332	250	278
DN250	385	300	329
DN300	445	350	384
DN350	505	350	439