

MG-33

MAGNETIC LEVEL GAUGE

GENERAL FEATURES

It is a convenient and safe device designed to combine the principles of lifting and pulling of electro-magnet. The magnets in the float enable you to follow the liquid change level with the help of red-white coloured flaps placed on the outer wall. It is suitable for use in systems requiring high pressure and temperature.

Advantages

- Continuous and easy monitoring
- Sealing construction
- Requested length and connection manufacturing
- Ability to work in different densities
- Manufacturing according to various installation types
- Long life time
- Easy maintenance
- Up to 6 meters can be manufactured in one piece.
- Above 6 meters can be manufactured in multi pieces.
- Works up to 200 °C in PN 10/16/25/40(Opt.) pressure class
- Self-cleaning feature of the system with up-and-down movement of the float

Application Areas

- All steam and hot water boilers
- Waste water systems
- Filling and unloading containers
- Oil and Gas industry

rev.0119

- All chemical and petrochemical tanks
- Tanks for petroleum and petroleum products
- Oil boilers
- Diesel fuel tanks and generator sets
- Submarine, helicopter and ship fuel tanks

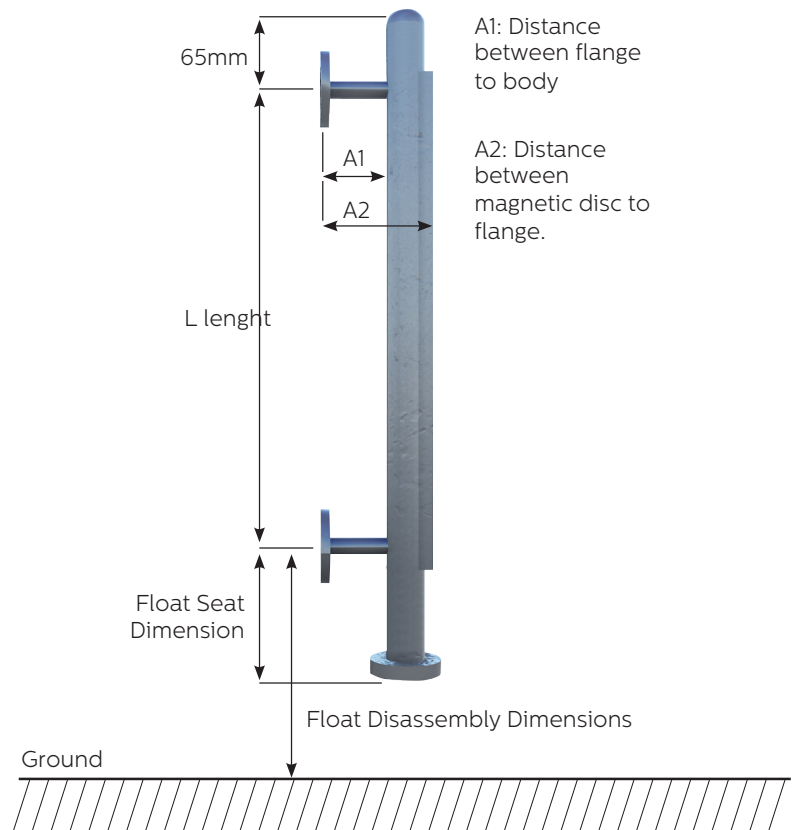
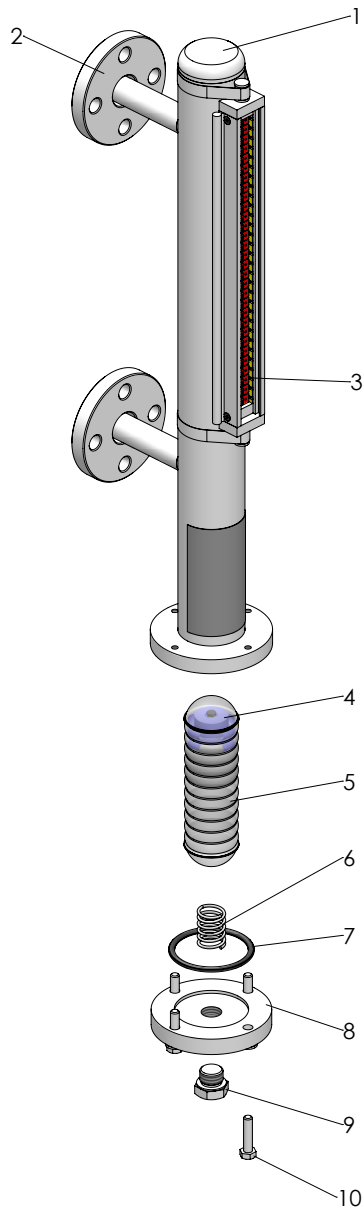
PRODUCT FEATURES

Body	: AISI 304 /316 / 316L Stainless Steel
Float	: AISI 316L Stainless Steel
Magnetic Disc	: Aluminium
Flap	: Aluminium
Connection	: Flange, M/F, Union
Flange Type	: DIN, ANSI (150-300), JIS
Flange Material	: Carbon Steel St. 37.2, Stainless Steel
Max. Working Pres.	: 40 bar
Max Working Temp.	: 200 °C
Contact	: YES
Protection Class	: IP66
Drain Plug	: 3/8"



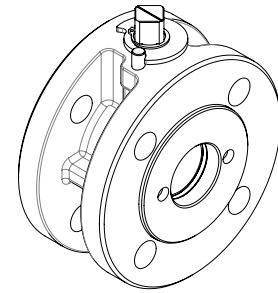
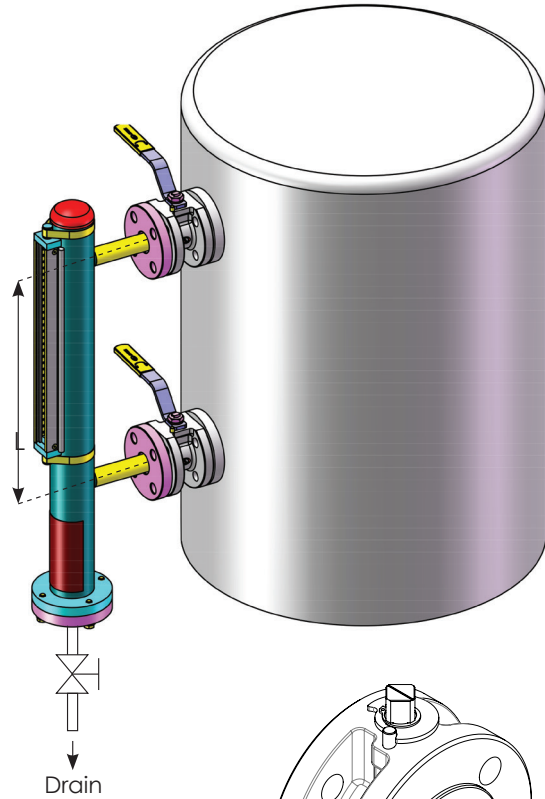
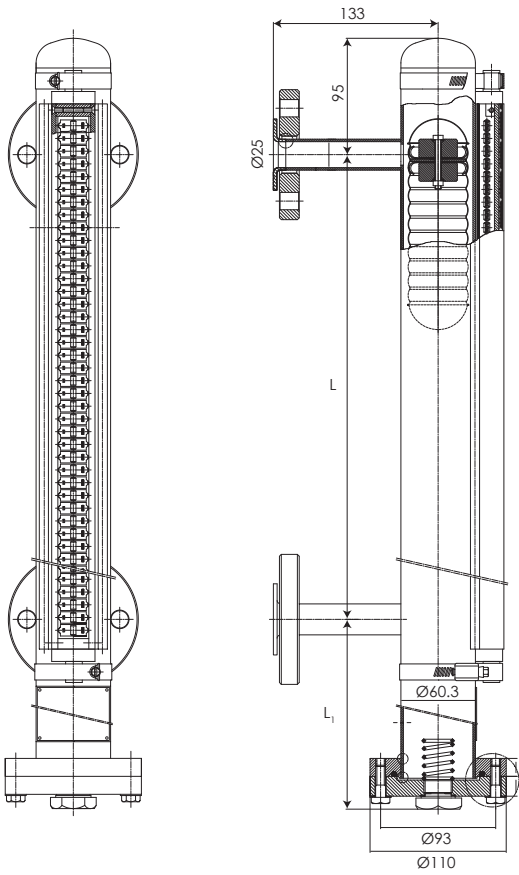
Different size, connection, pressure and applications Please consult our sales team.

MG-33 MAGNETIC LEVEL GAUGE

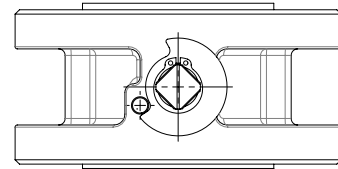


SPARE PARTS		
1	Body	Stainless Steel
2	Connection Flange	Carbon Steel, Stainless Steel
3	Flaps	Aluminium/Plastic
4	Magnetic Disc	Magnet
5	Float	Stainless Steel
6	Float Spring	Spring Steel
7	O-Ring	Silicon
8	Drain Flange	Carbon Steel, Stainless Steel
9	Drain Bolt	Stainless Steel
10	Bolt	Stainless Steel

MG-33 MAGNETIC LEVEL GAUGE



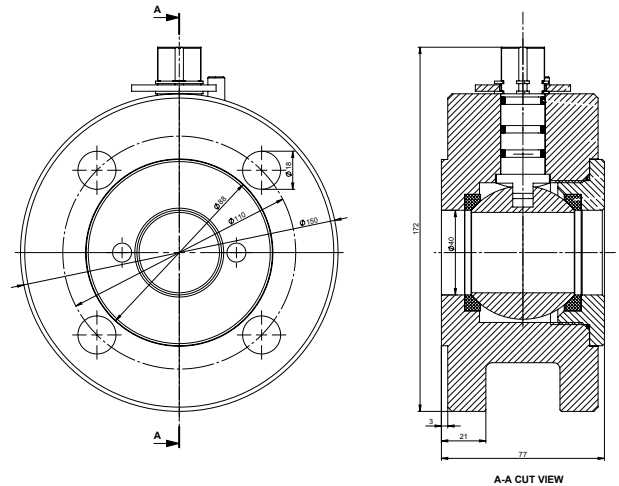
**MBK-45
Monoblock Valve
Dimensions**



You are required to inform sales team during the order

- Connection type and dimension (M/F, flange, diameter)
- Distance between connections
- (From the upper pipe center to the bottom pipe center)
- Fluid density to be used
- Fluid temperature

SPARE PART		
1	Connection Type	Flange, M/F, uNiON
2	Flange	Carbon Steel / Stainless Steel (DIN, ANSI, JIS)
3	Float	Stainless Steel (PN 16/25/40)
4	By-pass Tube	Stainless Steel (AISI 304 / 316)
5	Bolt	Stainless Steel
6	Drain Bolt	Stainless Steel
7	Magnetic Disc	Aluminium
8	Indicator Glass	Plexiglass



MG-33 MAGNETIC LEVEL GAUGE TOP MOUNTED



Ayvaz MG-33 top mounted magnetic level gauges; It is used in tanks that can not be mounted on the side surfaces. The movement of the float in the tank according to the filling rate of the tank; the level moves the float inside the bottle and the tank observation is provided mechanically.

Like other systems, the top mounted magnetic level gauges can also be manufactured for the automation systems.

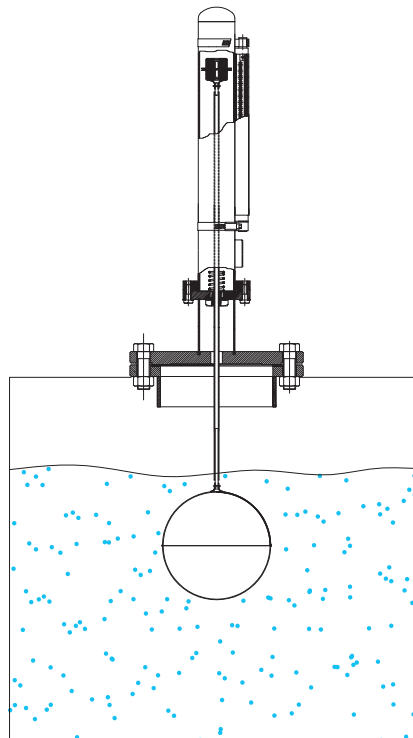
Advantages

- Continuous and easy monitoring
- Sealing construction
- Requested length and connection manufacturing
- Ability to work in different densities
- Manufacturing according to various installation types
- Long life time
- Easy maintenance
- Up to 6 meters can be manufactured in one piece.
- Works up to 160 °C in PN 10/16/25/40(Opt.) pressure class
- Self-cleaning of the system with the up and down movement of the float

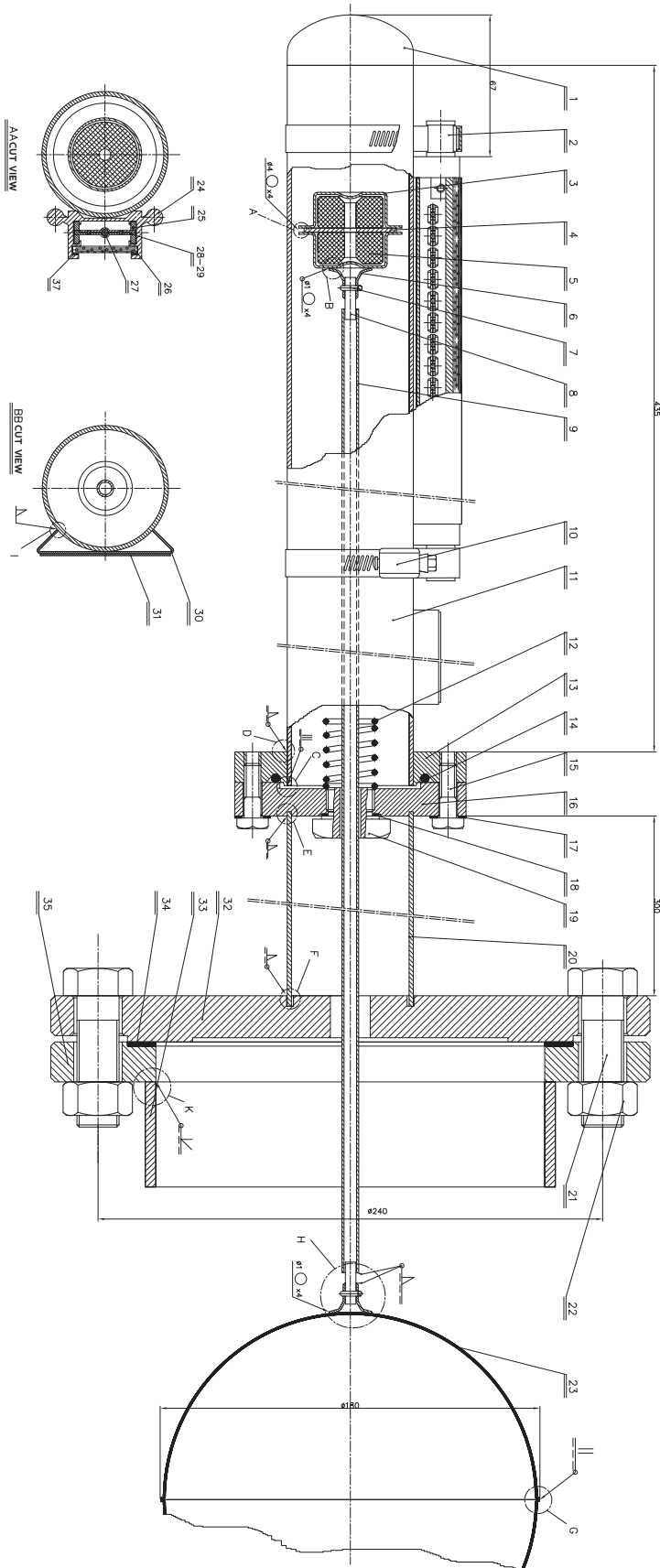
Application Areas

- All steam and hot water boilers
- Waste water systems
- Filling and unloading containers
- All chemical and petrochemical tanks
- Tanks for petroleum and petroleum products
- Oil boilers
- Diesel fuel tanks and generator sets
- Submarine, helicopter and ship fuel tanks

Body	: AISI 304/316 Stainless Steel
Float	: AISI 316L Stainless Steel
Magnetic Disc	: Plastic/Aluminium
Connection	: Flanged
Flange Types	: DIN, ANSI, JIS
Flange Material	: Carbon Steel St 37.2/Stainless Steel (Opsiyonel)
Max. Working Press.	: 16 bar
Max. Working Temp.	: 200 °C
Contact Availability	: Yes

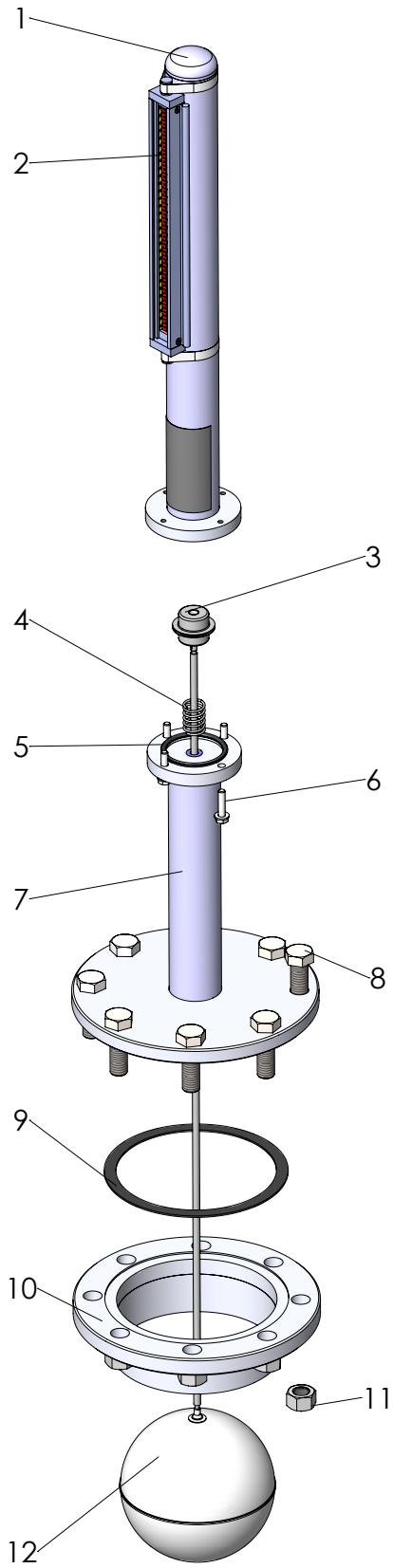


MG-33 MAGNETIC LEVEL GAUGE TOP MOUNTED



No	Part Name	Material List
1	Cap	AISI 304
2	Support	Aluminium Cast
3	Magnet Cap	AISI 304
4	Magnet Interconnect Comp.	DKP
5	Magnet	
6	Float Capsule	AISI 316
7	Ring	
8	Pin	AISI 304
9	Float Carry Tube	AISI 304
10	Clips	AISI 304
11	Level Tube	AISI 304
12	Float Spring	AISI 302
13	Drain Flange	AISI 304
14	O-ring	Silicon
15	Lock Screw	AISI 304
16	Drain Flange	AISI 304
17	Spring Washer	AISI 304
18	Blind Gasket	Copper
19	Blind	AISI 304
20	Level Tube	AISI 304
21	AKB Bolt	8,8
22	AKB Nut	8
23	Float Cap	AISI 316 L
24	Indicator Profil	Aluminium
25	Level Tube Cab	Aluminium
26	Indicator Profile Glass	Plexiglass
27	Magnet	
28	Flap (White)	Aluminium
29	Flap (Red)	Aluminium
30	Tag Plate	AISI 304
31	Aluminium Tag	Aluminium
32	Conn. Flange2(PN16-DN150)	St 37
33	Connection Tube	St 37
34	Connection Flange Gasket	Klingerite
35	Connection Flange 1	St 37
36	Countersunk Head Screw	5,8
37	Silicon Hose	Silicon

MG-33 MAGNETIC LEVEL GAUGE TOP MOUNTED

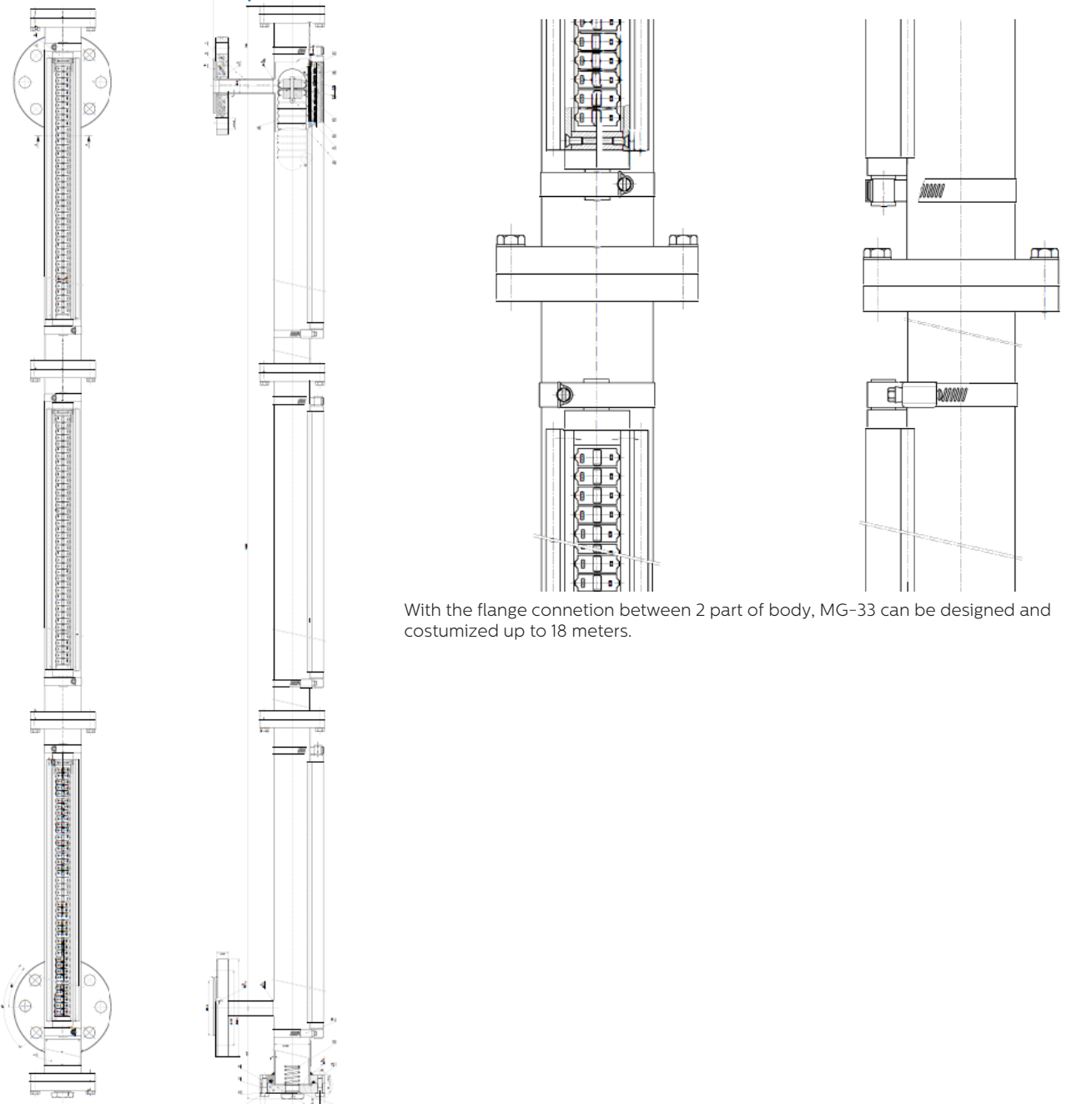


No	Part Name	Material List
1	Body	Stainless Steel
2	Flaps	Aluminium/Plastic
3	Magnetic Disc	Magnet
4	Float Spring	Spring Steel
5	O-ring	Silicon
6	Bolt	Stainless Steel
7	Interconnect Components	
8	Bolt	Stainless Steel
9	Gasket	
10	Connection Flange	
11	Nut	
12	Float	Stainless Steel

MG-33 MAGNETIC LEVEL GAUGE



Oversize Application



With the flange connection between 2 part of body, MG-33 can be designed and customized up to 18 meters.

MG-33 MAGNETIC LEVEL GAUGE



HEAD OFFICE - FACTORY

Atatürk Sanayi Bölgesi Hadımköy Mahallesi Mustafa İnan Caddesi No: 44 Arnavutköy - İSTANBUL
Tel: +90 212 771 01 45 (pbx) | Fax: +90 212 771 47 27
info@ayvaz.com | www.ayvaz.com

Cona Caserta/Italy

Tel: +39 0823 187 3988
rmolaro@ayvaz.com

Ayvaz Germany Viernheim/Germany

Tel: +49 62046014399
germany@ayvaz.com

Ayvaz Ukraine Kiev/Ukraine

Tel: +380 44 390 57 57
info@ayvaz.com.ua

Tricorr Warsaw/Poland

Tel: +48 530 030 810
+48 533 603 335
tricorr@tricorr.eu

Ayvaz Azerbaijan Baku/Azerbaijan

Tel: +99 (455) 579-84-32
ahayatov@ayvaz.com

Ayvaz Egypt Cairo/Egypt

Tel: +20 122 819 78 29
andrew.eid@ayvaz.com

Ayvaz Gulf Dubai/U.A.E

Tel: +971 563550822
+971 501306871
mideast@ayvaz.com

Ayvaz China Ningbo/China

Tel: +86 152 5830 7361
msahin@ayvaz.com

Ayvaz Kazakhstan LLP Almaty/Kazakhstan

Tel: +7 (727) 327 97 57
info_kz@ayvaz.com

Ayvaz N Ispirih/Bulgaria

Tel: +359 8431 27 32
office@ayvaz-n.eu

Ayvaz Serbia Belgrade/Serbia

Tel: +381 61 658 70 52
yakbiyik@ayvaz.com

Ayvaz Vietnam HCMC/Vietnam

Tel: +84 89 8508345
ggursoy@ayvaz.com

Ayvaz Americas Rhode Island/USA

Tel: +1 401 737 8380
americas@ayvaz.com