



V-3T

## STAINLESS STEEL BALL VALVES / THREE PARTIAL THREADED

### GENERAL FEATURES

The essential element in the ball valve is a ball which has a hole in the middle. This ball's 90° turn move it from fully opened to closed position. The ball valves are primarily used in places where it is necessary to open and close a lot or to open and close quickly.

The advantages are low pressure losses, easy opening and closing, good sealing, light weight and low space occupancy. Sealing; It is made up of two stages as a sphere seal and a shaft seal.

Ayvaz V-3F Three Piece Flanged Stainless Steel Ball Valves are subjected to 100% air test in open and closed positions under 10 bar.

**Material Structure:**

Body: AISI316 / AISI304 Stainless Steel  
Ball: AISI316 / AISI304 Stainless Steel

**Connection:**

Threaded

**Nominal Diameter:**

DN15 (1/2" - DN100 (4")

**Pressure Range:**

Max. 40 bar

**Temperature Range:**

Based on material from -25°C to 180°C

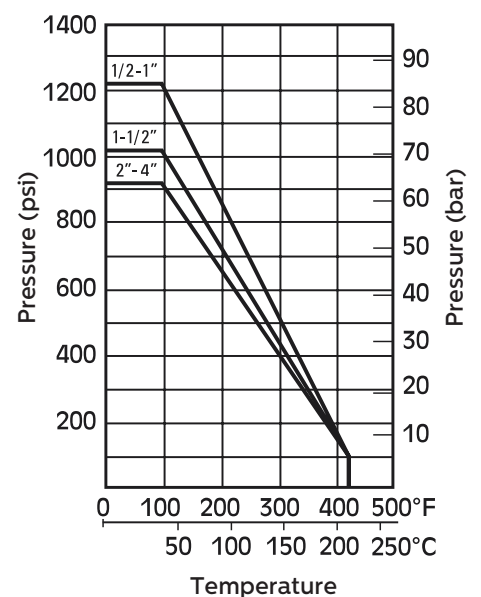
**Application Areas:**

- Heating-cooling lines
- Food facilities
- Chemical industry
- Shipbuilding
- Paper mills

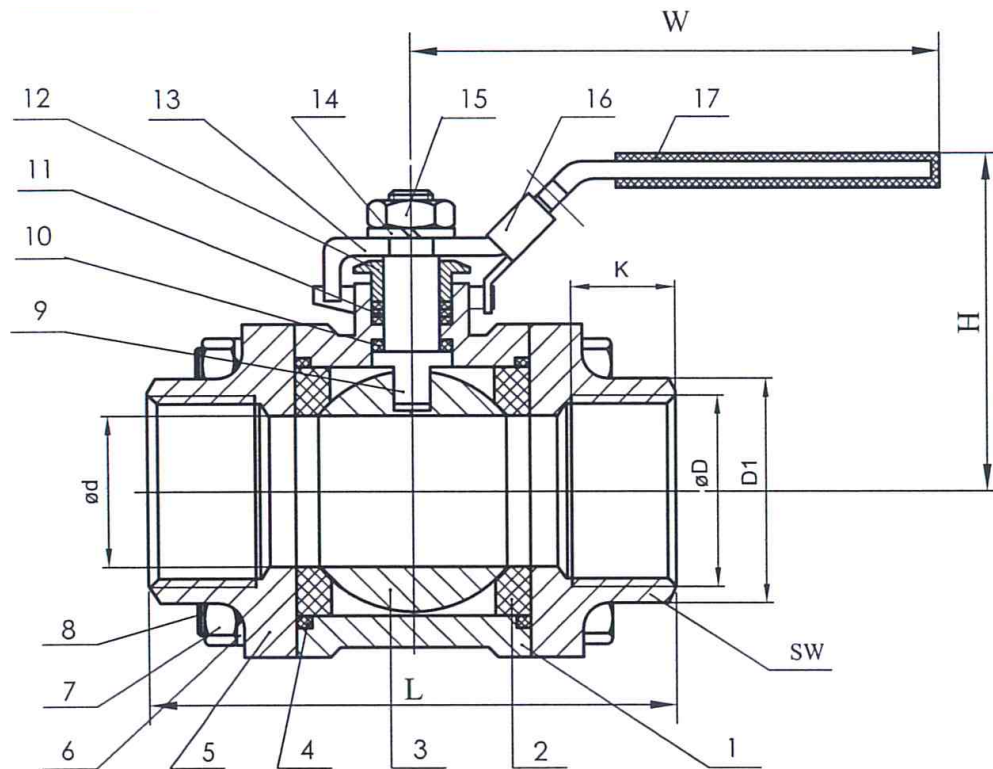
**Installation:**

Installation can be done in every position.

Pressure - Temperature Range



# V-3T STAINLESS STEEL BALL VALVES / THREE PARTICAL THREADED



PART LIST		
No	Part Name	Material
1	Body	AISI 304/316
2	Ball Gasket	R-PTFE (15%)
3	Ball	AISI 304/316
4	Body Gasket	PTFE/TEFLON
5	Cover	AISI 304/316
6	Nut	AISI 304
7	Nut	AISI 304
8	Pivot Bolt	AISI 304
9	Motion Shaft	AISI 304/316
10	Seal Teflon	PTFE/TEFLON
11	Sealing Gasket	PTFE/TEFLON
12	Sealing Nut	AISI 304
13	Handle	AISI 304
14	Nut	AISI 304
15	Nut	AISI 304
16	Lock	AISI 304
17	Handle Cover	PLASTIC

Dimensions										
	Dia.	D1	K	SW	L	H	W	N.m	kg	
	DN8	1/4"		10	22	50	51	105	4	0,33
	DN10	3/8"		11	22	60	51	105	4	0,32
	DN15	1/2"	28	15	26	75	53	118	5	0,44
	DN20	3/4"	35,5	16	33	80	60	118	8	0,71
	DN25	1"	43	19	40	90	75	150	10	1,01
	DN32	1-1/4"	57	21	49	110	80	150	14	1,65
	DN40	1-1/2"	60	21	56	120	88	182	18	2,25
	DN50	2"	74	25	69	140	95	182	25	3,14
	DN65	2-1/2"	92	30	86	185	121	254	48	6,38
	DN80	3"	109	33	102	205	135	254	75	9,62
	DN100	4"	140	39	128	240	158	285	110	15,7



## HEAD OFFICE - FACTORY

Atatürk Sanayi Bölgesi Hadımköy Mahallesi Mustafa İnan Caddesi No: 44 Arnavutköy - İSTANBUL  
 Tel: +90 212 771 01 45 (pbx) | Fax: +90 212 771 47 27  
 info@ayvaz.com | www.ayvaz.com

**Cona**  
**Caserta/Italy**  
 Tel: +39 0823 187 3988  
 rmlaro@ayvaz.com

**Ayvaz Germany**  
**Viernheim/Germany**  
 Tel: +49 62046014399  
 germany@ayvaz.com

**Ayvaz Ukraine**  
**Kiev/Ukraine**  
 Tel: +380 44 390 57 57  
 info@ayvaz.com.ua

**Tricorr**  
**Warsaw/Poland**  
 Tel: +48 530 030 810  
 +48 533 603 335  
 tricorr@tricorr.eu

**Ayvaz Azerbaijan**  
**Baku/Azerbaijan**  
 Tel: +99 (455) 579-84-32  
 ahayatov@ayvaz.com

**Ayvaz Egypt**  
**Cairo/Egypt**  
 Tel: +20 122 819 78 29  
 andrew.eid@ayvaz.com

**Ayvaz Gulf**  
**Dubai/U.A.E**  
 Tel: +971 563550822  
 +971 501306871  
 mideast@ayvaz.com

**Ayvaz China**  
**Ningbo/China**  
 Tel: +86 152 5830 7361  
 msahin@ayvaz.com

**Ayvaz Kazakhstan LLP**  
**Almaty/Kazakhstan**  
 Tel: +7 (727) 327 97 57  
 info\_kz@ayvaz.com

**Ayvaz N**  
**İsperih/Bulgaria**  
 Tel: +359 8431 27 32  
 office@ayvaz-n.eu

**Ayvaz Serbia**  
**Belgrade/Serbia**  
 Tel: +381 61 658 70 52  
 yakbiyik@ayvaz.com

**Ayvaz Vietnam**  
**HCMC/Vietnam**  
 Tel: +84 89 8508345

**Ayvaz Americas**  
**Rhode Island/USA**  
 Tel: +1 401 737 8380  
 americas@ayvaz.com