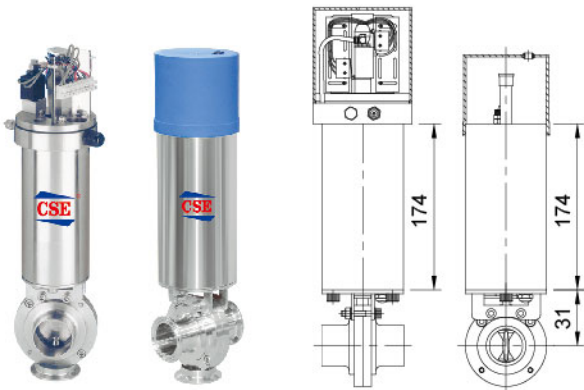


CSE Auto Control Actuator For Butterfly Valve

C2, C3 actuator instruction

1. C2, C3: Shut-Off time: 1.5 second ; Weight: 3.85KGS.
C101: Shut-Off time: 1.7 second ; Weight: 7.1KGS
2. Operating air pressure: 6 kg/cm₂ ; Min. 5bar ; Max. 9bar compress air
3. C2, C3 Air consumption: 0.266 Liter at 5 bar ; C101 Air consumption: 0.550 Liter at 5 bar.
4. Material: stainless steel AISI 304
5. Can be equipped with normal close or open.

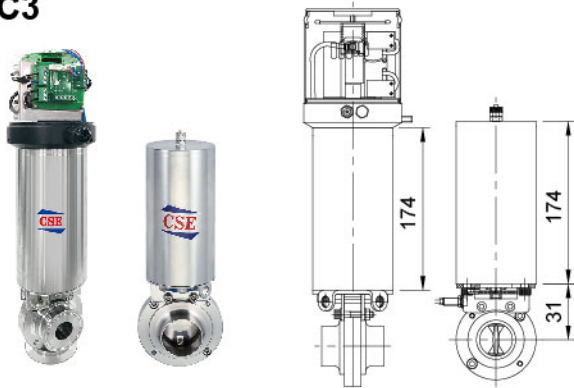
C2



Operation instruction

1. C2 Actuator apply to butterfly valve in size 1"-3" of the disc head DIA. 12mm X 8mm.(other size can be required)
2. Control ways:
 - 2-1. Signal transfer:
 - a. With 10-30VDC proximity switch contact: 1 or 2pcs.
 - b. Or 3A 125VAC. 30VDC microswitch: 2pcs
 - 2-2 Individual control: Choice (a) or (b) + DC24 3.0W electric valve: 1pc & Air manifold (for complete control box).
3. Air/Air (double effect) actuator or air/spring (simple effect) actuator are available.
4. Accessories: adapter: 1pcs ; M6 X 35 screw: 2pcs ; washer: 4pcs ; M6 nut: 2pcs ; 1/8PT quick coupler: 1pcs

C3



Operation instruction

1. C3 Actuator apply to butterfly valve in size 1"-3" of the disc head DIA. 12mm X 8mm. (other size can be required)
2. Signal transfer: can be connect with M12 screw proximity switch.
3. Air/Air (double effect) actuator or air/spring (simple effect) actuator are available.
4. Accessories: adapter: 1pc ; M6 X 35 screw: 2pcs ; washer: 4pcs ; M6 nut: 2pcs ; 1/8PT quick coupler: 1pc

C101



Operation instruction

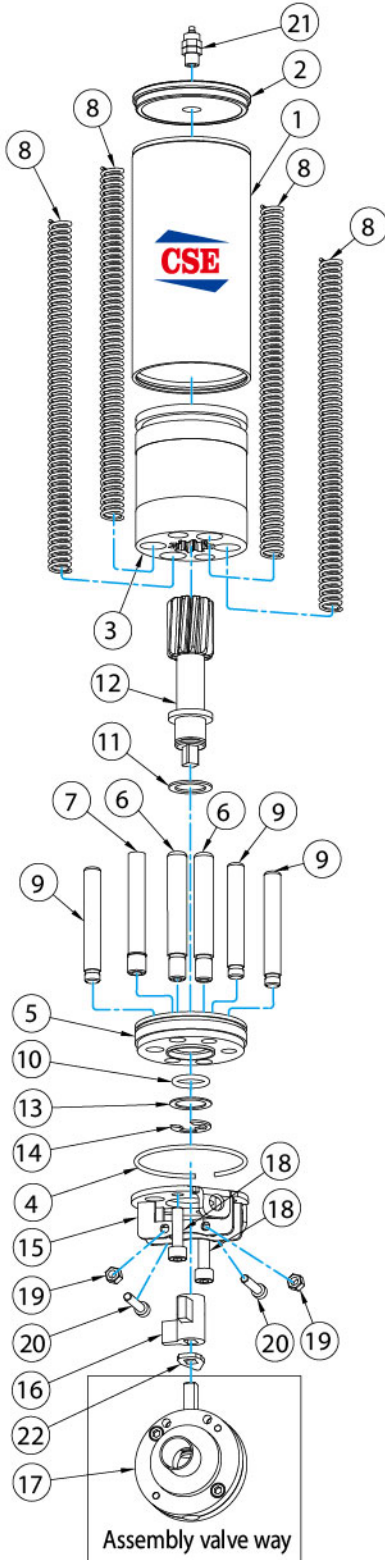
1. C101 Actuator apply to butterfly valve in size 4"-6" of the disc head DIA. 12mm X 12mm.
2. Control ways:
 - 2-1. Signal transfer:
 - a. Can be connect with M18 or M12 screw proximity switch (PNP or NPN) as (1)
 - b. With 10-30 VDC proximity switch contact: 1 or 2pcs (PNP OR NPN)
 - c. Or 3A 125VAC. 30VDC microswitch: 2pcs
 - 2-2. Individual control: Choice (a) or (b) or (c) + DC24 3.0W electric valve: 1pc & air manifold (for complete control box).
3. Air/Air (double effect) actuator or air/spring (simple effect) actuator are available.
4. Accessories: adapter: 1pcs ; M6 X 40 screw: 2pcs ; washer: 4pcs ; M6 nut: 2pcs ; 1/8PT quick coupler: 1pcs

CSE Auto Control Actuator for Butterfly Valve (Warn Gear Design)

C3# Type construction assembly drawing & items list

Max. output torque 20N/M on C2 & C3#

Max. output torque 30N/M on C101



Parts List			
Item	Parts name	Q'TY	Material
1	St. St. cylinder	1	St. St. 304
2	St. St. cylinder	1	St. St. 304
3	Piston stem	1	Tenac 4010/SH410
4	Lock wire clip	1	St. St. 304
5	Lower cylinder end	1	St. St. 304
6	Piston guide part	2	St. St. 304
7	Piston guide part	1	St. St. 304
8	Compress spring	4	St. St. 304
9	Piston guide part	3	St. St. 304
10	Piston axle O-ring	1	Teflon
11	Teflon gasket	1	Teflon
12	Coupling axle piece	1	St. St. 304
13	Contact seal	1	St. St. 304
14	Circlip	1	St. St. 304
15	Mounting bracket	1	St. St. 304
16	Connection piece	1	St. St. 304
17	Assembly valve way	1	St. St. 304/316(L)
18	M8x12 ST.ST. screw	2	St. St. 304
19	M6 Nut	2	St. St. 304
20	M6x35 ST.ST. screw	2	St. St. 304
21	Air connection	1	Copper
22	Positioning index	1	St. St. 304

CSE Control Box for Auto Actuator and Divert Valve

C2 & C101



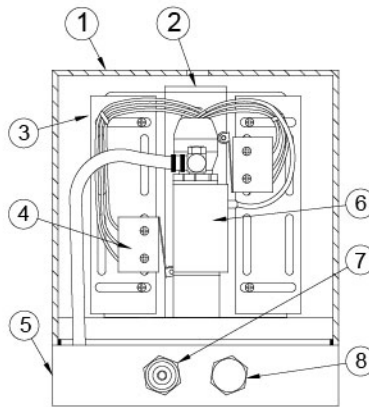
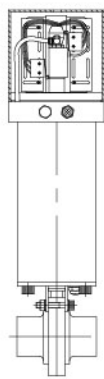
C2-LED



can be request

Control box construction assembly drawing & items list

Parts List			
Item	Parts name	Q'TY	Material
1	Cover	1	PC or St.St 304
2	Switch plate	1	St.St 304
3	Plastic hanger	2	St.St 304
4	Micro switch	2	3A 125VAC. 30VDC
5	Air manifold	1	P.O.M (Plastic) or St.St 304
6	Electrovalve	1	DC24 3.0W
7	Air connection	1	Cu
8	E/N connect	1	St.St 304

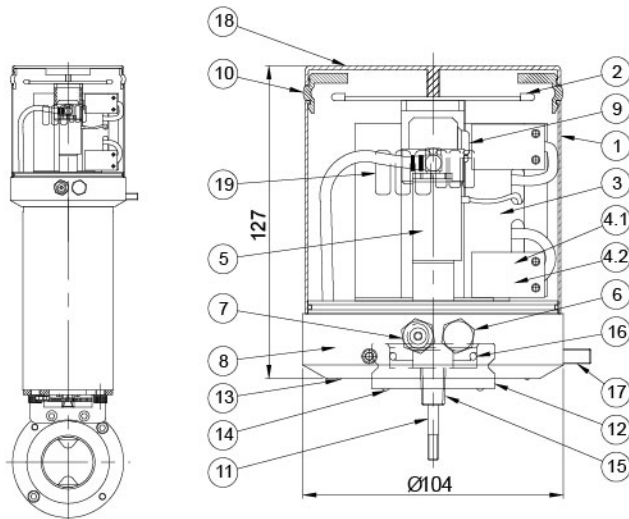


C3-LED



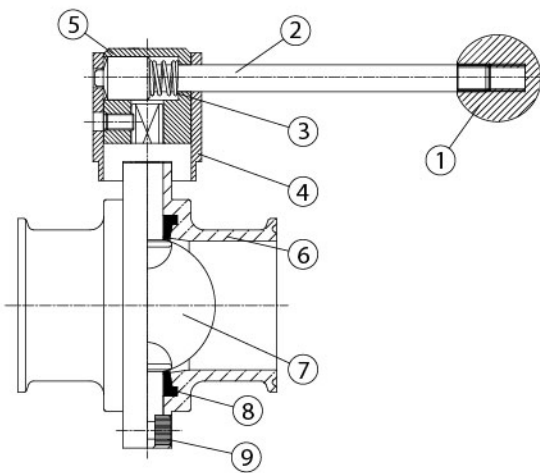
can be request

Parts List			
Item	Parts name	Q'TY	Material
1	Cover	1	St.St 304
2	LED Light	1	
3	Switch bracket	1	St.St 304
4.1	Proximity sensor	2	3A 125VAC. 30VDC
4.2	Mirco switch	2	3A 125VAC. 30VDC
5	Electrovalve	1	DC24 3.0W AC110V AC220V
6	E/N connect piece	1	St.St 304
7	Air connection	1	Cu
8	Air manifold	1	P.O.M St.St 304
9	Contact head	1	St.St 304
10	Light screen	1	PC
11	Senser pin	1	St.St 304
12	Plate	1	St.St 304
13	O-Ring	1	NBR
14	O-Ring	1	NBR
15	Adapter (3/8" NPT)	1	St.St 304
16	O-Ring	1	NBR
17	Set screw	3	St.St 304
18	Top cover	1	St.St 304/PE
19	PCB board	1	



CSE Range of Butterfly Valve

Multi Connection With St.St Pull Handle, 4 Position



Item	Parts List
1	Knob
2	Steel-Bar
3	Spring St.st
4	Fixed Piece
5	Holder
6	Body
7	Disc
8	EPDM Rubber Seat
9	Screw Bolt

Torque for Full Open/Close

1.0"	< 9.8 N.m
1.5"	< 9.8 N.m
2.0"	13 N.m
2.5"	15 N.m
3.0"	20 N.m
4.0"	30 N.m
6.0"	70 N.m

*1kgf-m = 9.8 N.m = 86.8 lbf-in = 7.23 lbf-ft

Width Range of CSE Butterfly Valve

Body: SUS304 \ 316L material made out from precision CNC milling machined.

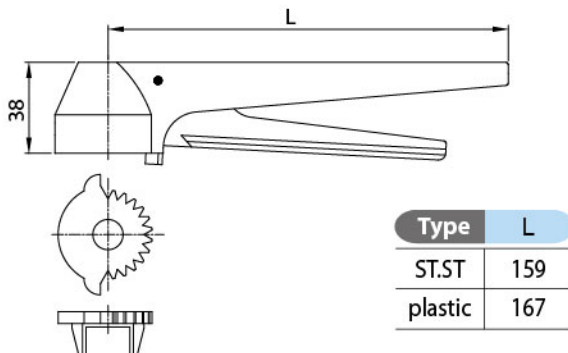
Body can be changeable, and low torque. BS \ SMS \ DIN \ 3A Weld end and Male/Male end and Clamp end.

Disk: Made out from full machined, high polished. Ra less than 0.6 μm . 9.5x9.5mm and 8x12mm, 12x12mm head for USA and europe required. Electropolished and PTFE coating can be required.

Handle: Different nylon re-forced and stainless steel handle gripper, pull, Press type.

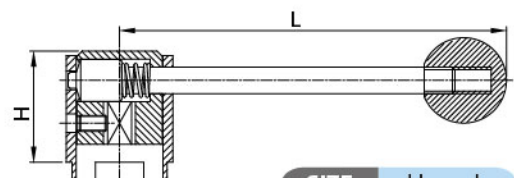
From 2 Position-12 Position, designed for your width range choice.

GRIPPER HANDLE 12 POSITION-G12 (NYLON & STAINLESS)



Can fit \square 9.5x9.5 and \square Ø12x8 or \square 12x12

PULL HANDLE 4 POSITION-P4



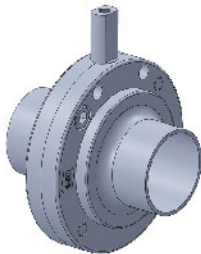
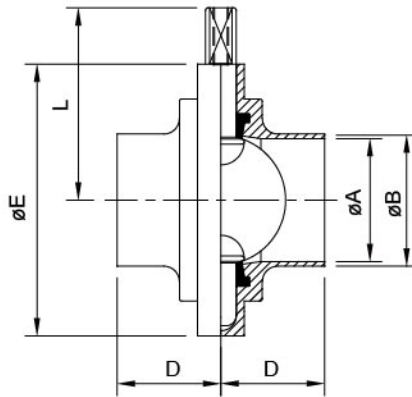
SIZE	H	L
1.0"~3.0"	41.7	145
4.0"	41.7	175
6.0"	52.5	212.5

Can fit \square 9.5x9.5 and \square Ø12x8 or \square 12x12

Other Handle

CSE Full Forged Butterfly Valves

Weld End



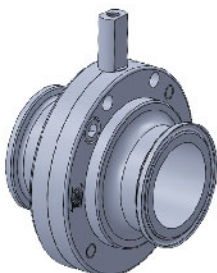
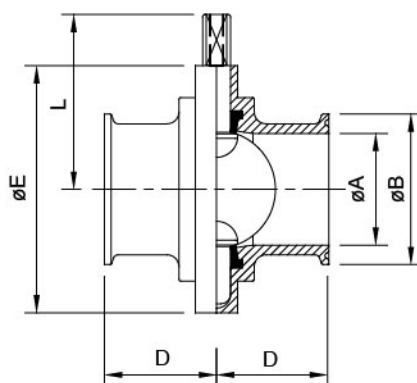
DIN WELD BUTTERFLY VALVE

SIZE	A type		B type		D	ØE	L
	ØA	ØB	ØA	ØB			
DN10	10	13	9	12	34	79	61
DN15	16	19	15	18	34	79	61
DN20	20	23	19	22	34	79	61
DN25	26	29	25	28	34	79	61
DN32	32	35	31	34	38	85	64.3
DN40	38	41	37	40	38	90	66.7
DN50	50	53	49	52	40	105	77.6
DN65	66	70	66	70	41	125	84.8
DN80	81	85	81	85	42	137	91.6
DN100	97.6	101.6	97.6	101.6	44	157	101.75
	100	104	100	104	44	157	101.75

IMPERIAL OD/BS/SMS WELD BUTTERFLY VALVE

SIZE	ØA	ØB	SIZE	ØA	ØB	D	ØE	L
1/2"	9.4	12.7	—	—	—	34	79	61
3/4"	15.75	19.05	—	—	—	34	79	61
1.0"	22.1	25.4	DN25	22.5	25	34	79	61
1.5"	34.8	38.1	DN38	35.5	38	38	85	64.3
2.0"	47.5	50.8	DN50	48.5	51	40	105	74.3
2.5"	60.2	63.5	DN63	60.3	63.5	40	112	77.6
3.0"	72.9	76.2	DN76	72.9	76.1	41	125	84.8
4.0"	97.4	101.6	DN100	100	104	44	157	101.75
6.0"	146.86	152.4	—	—	—	40	216.5	132.5

Clamp End

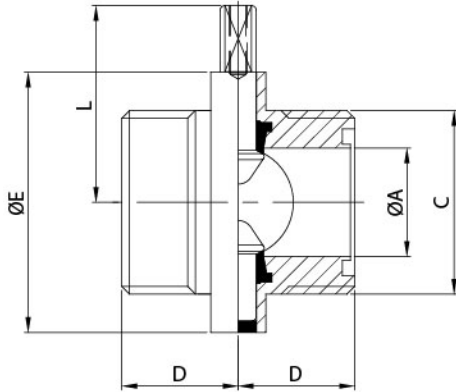


IMPERIAL OD CLAMP BUTTERFLY VALVE

SIZE	ØA	ØB	D	ØE	L
1/2"	9.4	25.2	34	79	61
3/4"	15.75	25.2	34	79	61
1.0"	22.1	50.5	33	79	61
1.5"	34.8	50.5	33	85	64.3
2.0"	47.5	64	35	105	74.3
2.5"	60.2	77.5	35	112	77.6
3.0"	72.9	91	38	125	84.8
4.0"	97.6	119	38	157	101.75
6.0"	146.86	166.87	70	216.5	132.5

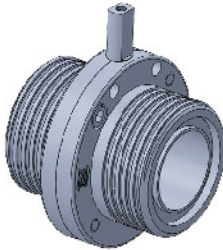
CSE Full Forged Butterfly Valves

Male End

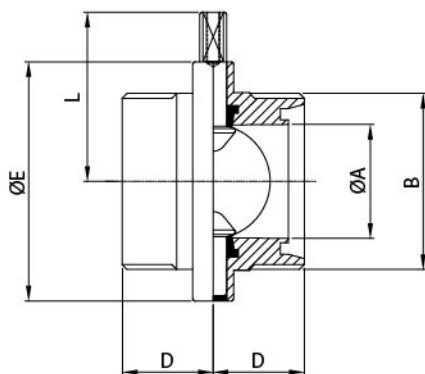


SMS MALE BUTTERFLY VALVE

SIZE	ØA	C	D	ØE	L
DN25	22.5	RD40x1/6	34	79	61
DN38	35.4	RD60x1/6	38	85	64.3
DN50	48	RD70x1/6	40	105	74.3
DN63	60.2	RD85x1/6	40	112	77.6
DN76	72.1	RD98x1/6	41	125	84.8
DN100	97.6	RD125x1/4	50	157	101.75
DN100	100	RD125x1/4	50	157	101.75

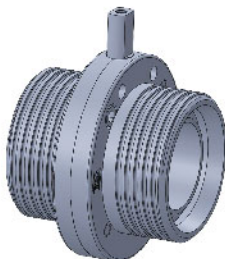


Male End



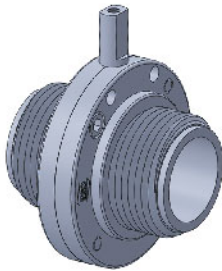
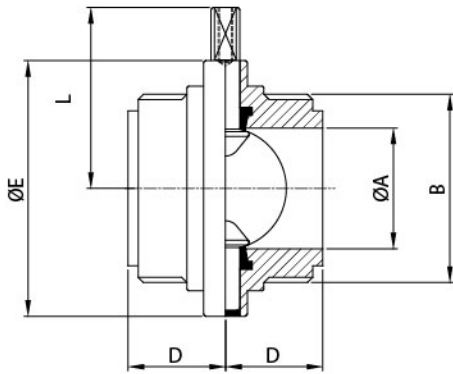
DIN MALE BUTTERFLY VALVE

SIZE	ØA	B	D	ØE	L
DN25	26	RD52*1/6	34	79	61
DN32	32	RD58*1/6	38	85	64.3
DN40	38	RD65*1/6	38	90	66.7
DN50	50	RD78*1/6	40	105	77.6
DN65	66	RD95*1/6	41	125	84.8
DN80	81	RD110*1/4	42	137	91.6
DN101.6	99	RD130*1/4	50	157	101.75
DN104	100	RD130*1/4	50	157	101.75



CSE Range of Butterfly Valve

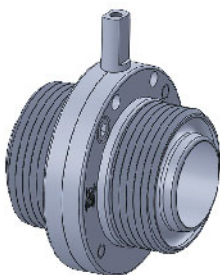
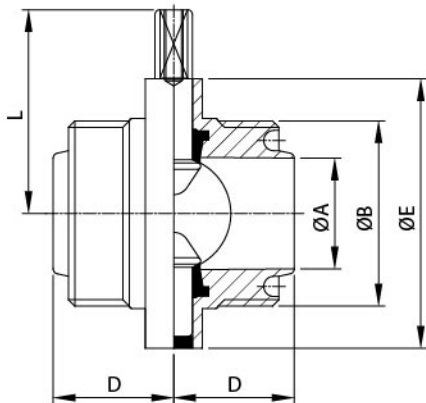
Male End



IDF MALE/MALE BUTTERFLY VALVE

SIZE	ØA	B	D	ØE	L
1.0"	22.4	37.13x8T ACME	34	79	61
1.5"	35.1	50.65x8T ACME	38	85	64.3
2.0"	47.8	64.16x8T ACME	40	105	74.3
2.5"	60.5	77.76x8T ACME	40	112	77.6
3.0"	72.1	91.19x8T ACME	41	125	84.8
4.0"	97.6	125.9x6T ACME	44	157	101.75

Male End

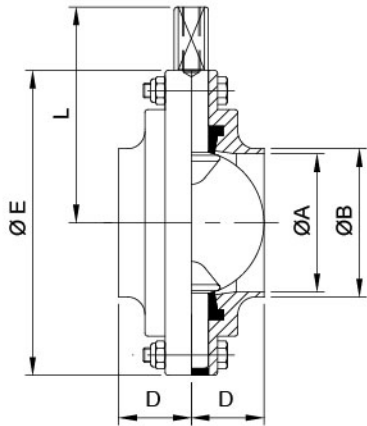


RJT MALE/MALE BUTTERFLY VALVE

SIZE	ØA	B	D	ØE	L
1.0"	22.2	45.72x8T WHIT	34	79	61
1.5"	34.82	58.42x8T WHIT	38	85	64.3
2.0"	47.52	72.72x6T WHIT	40	105	74.3
2.5"	60.2	85.42x6T WHIT	40	112	77.6
3.0"	72.9	98.12x6T WHIT	41	125	84.8
4.0"	97.69	123.52x6T WHIT	50	157	101.75

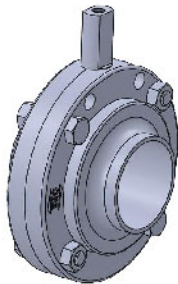
CSE Full Forged Butterfly Valve

CSE G TYPE

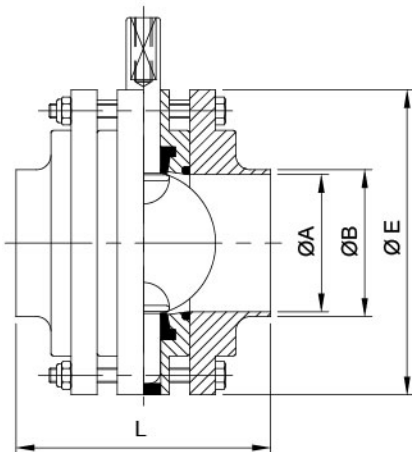


DIN WELD/WELD BUTTERFLY VALVE

SIZE	ØA	ØB	D	ØE	L
DN25	26	29	20	79	61
DN32	32	35	21	85	64.3
DN40	38	41	25	90	66.7
DN50	50	53	25	105	77.6
DN65	66	70	25	125	84.8
DN80	81	85	30	137	91.6
DN100	100	104	32	157	101.75

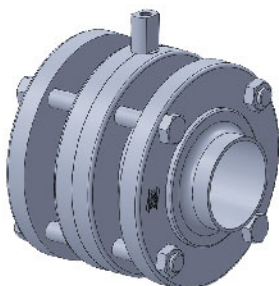


3 Piece G Type Butterfly Valves



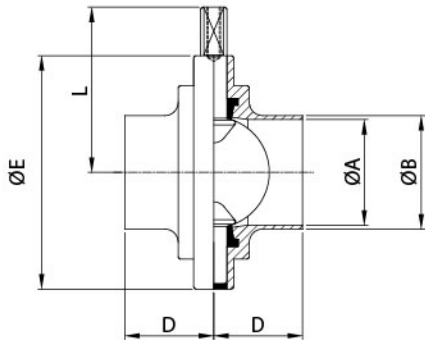
DIN WELD BUTTERFLY VALVE

SIZE	ØA	ØB	ØE	L
DN25	26	29	79	89
DN32	32	35	85	89
DN40	38	41	90	98.2
DN50	50	53	105	98.2
DN65	66	70	125	98.2
DN80	81	85	137	134.2
DN100	100	104	157	134.2



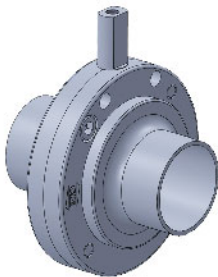
CSE Wine Macon Butterfly Valve

Macon Butterfly Valve

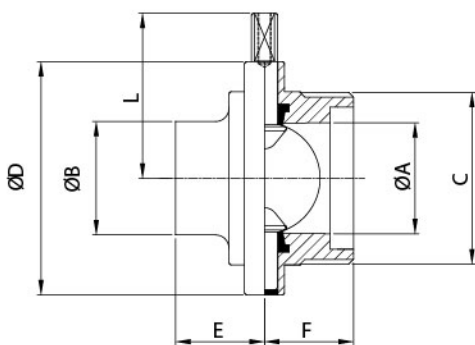


WINE WELD/WELD BUTTERFLY VALVE

SIZE	ØA	ØB	D	ØE	L
DN40/43	40	43	37	90	61
DN50/53	50	53	40	105	64.3
DN60/63	60	63	40	112	74.3
DN70/73	70	73	41	125	77.6
DN80/83	80	83	40	137	84.8
DN100/103	100	103	44	157	101.6

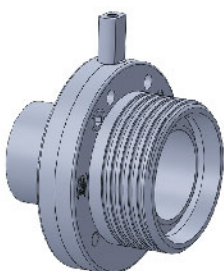


Macon Butterfly Valve



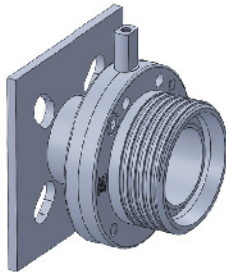
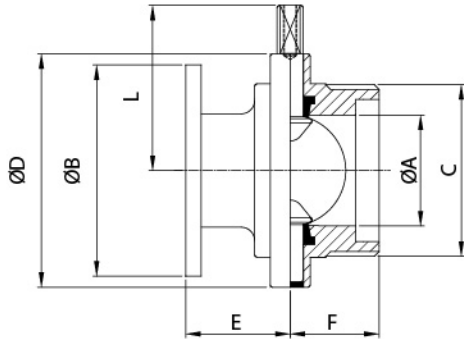
WINE WELD/MALE BUTTERFLY VALVE

SIZE	ØA	ØB	C	ØD	E	F	L
DN40/43	40	43	M55x3	90	37	37	61
DN50/53	50	53	M67x3	105	40	40	64.3
DN60/63	60	63	M79x3.5	112	40	40	74.3
DN70/73	70	73	M90x3.5	125	41	41	77.6
DN80/83	80	83	M102x4	137	40	40	84.8
DN100/103	100	103	M125x4	157	44	45	101.6



CSE Wine Macon Butterfly Valve

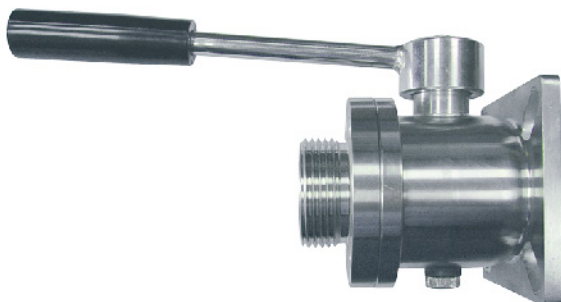
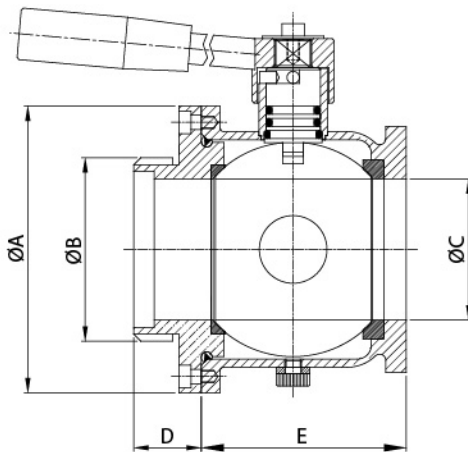
Macon Butterfly Valve



WINE MALE/FLANGE BUTTERFLY VALVE

SIZE	ØA	ØB	C	ØD	E	F	L
DN40/43	40	100	M55x3	90	45	37	61
DN50/53	50	100	M67x3	105	48	40	64.3
DN60/63	60	120	M79x3.5	112	50	40	74.3
DN70/73	70	120	M90x3.5	125	51	41	77.6
DN80/83	80	140	M102x4	137	50	40	84.3
DN100/103	100	140	M125x4	157	55	44	101.6

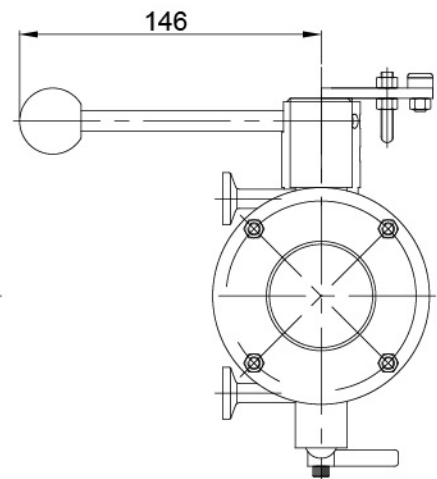
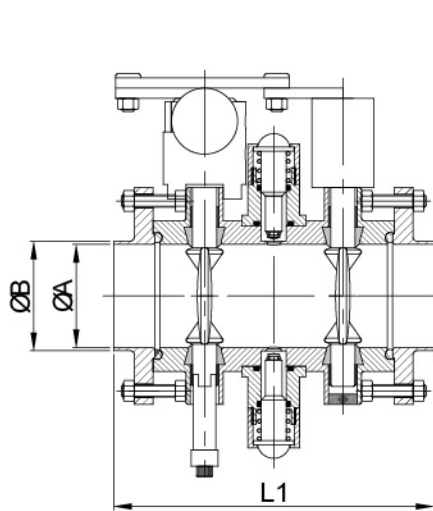
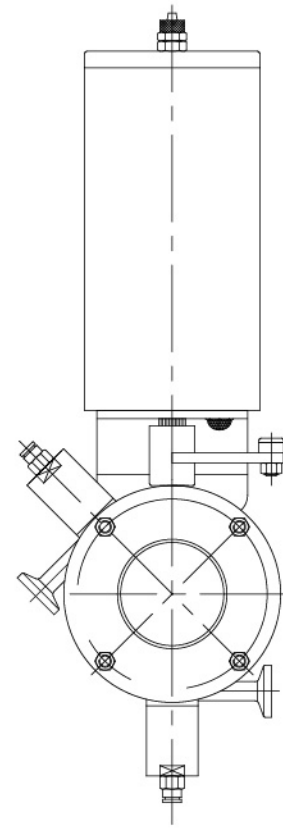
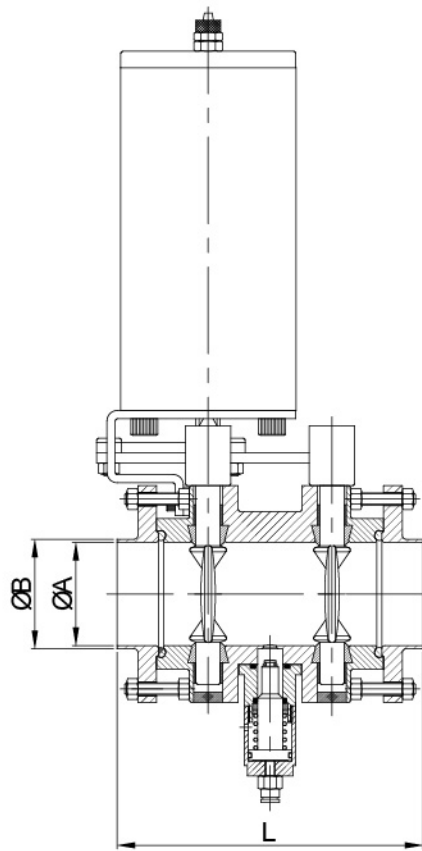
CSE Wine Ball Valve



WINE MALE/FLANGE BALL VALVE

SIZE	ØA	ØB	ØC	D	E
DN43	94	M55x3	40	32.6	72
DN53	105	M67x3	50	33	79
DN73	140	M90x3.5	69	33	100

Mix-Proof Butterfly Valve Series



DIN

SIZE	ØA	ØB	L	L1
DN40	37	40	143	150
DN50	49	52	148	155
DN65	66	70	160	167
DN80	81	85	176	183
DN100	100	104	200	207

Imperial

SIZE	ØA	ØB	L	L1
1.5"	34.8	38.1	143	150
2.0"	47.5	50.8	148	155
2.5"	60.2	63.5	160	167
3.0"	72.9	76.2	176	183
4.0"	97.4	101.6	200	207