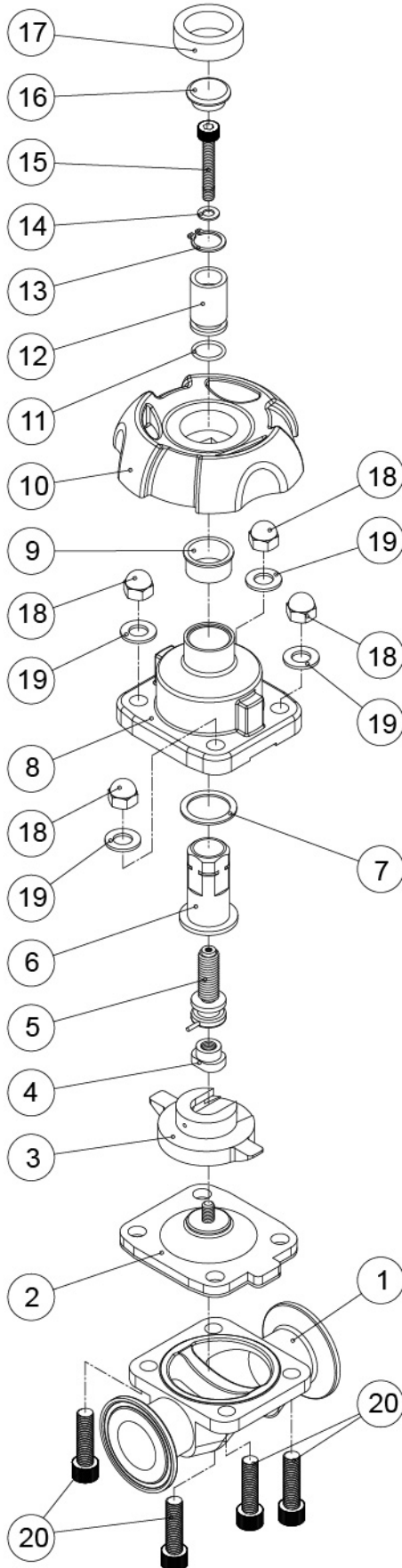


# Pneumatic/Manual Diaphragm Valve 2WAY/Tank Bottom Valve



Parts List			
Item	Parts name	Q'TY	Material
1	Body	1	SUS316L
2	Seal	1	EPDM+PTFE
3	Seat	1	SUS304
4	Screw	1	SUS304
5	Blot	1	SUS304
6	Blot sleeve	1	SUS304
7	Seal	1	PTFE
8	Bonnet	1	SUS304
9	sleeve	1	PEEK
10	Handwheel	1	EPDM+PTFE
11	O-Ring	1	NBR
12	Positioning index	1	MC(Blue)
13	Circlip	1	SUS304
14	Washer	1	SUS304
15	Screw	1	SUS304
16	Cover	1	MC(Blue)
17	CAP	1	EPDM+PTFE
18	Nut	4	SUS304
19	Washer	4	SUS304
20	Screw	4	SUS304

**Material:**

- Body:Forged/316L
- Diaphragm:EPDM+PTFE/NC or NO
- The seal of Diaphragm is exchangeable with GEMU

**Connection:**

- Clamp end/weld end

**Body type:**

- Direct connection(two way)/equal T/ reducing T/U-point.....

**Operation:**

- Normal open/normal close

**Work temp:**

- Diaphragm:EPDM+PTFE(-10°C~150°C)

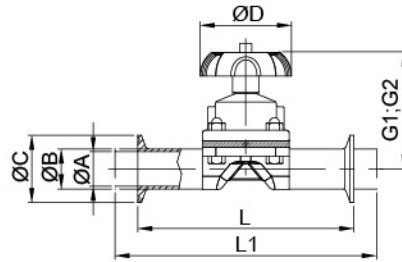
**Work pressure:**

- Max:10 Bar

**Surface:**

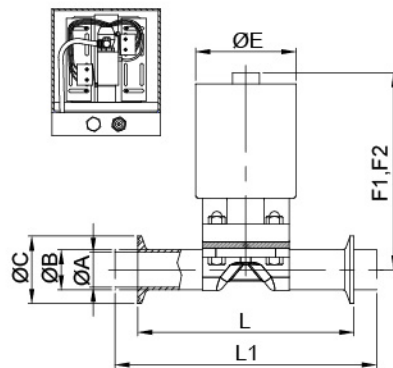
- SF1:ID polished to  $Ra \leq 0.5\mu\text{m}/$   
SF4:EP finished to  $Ra \leq 0.38\mu\text{m}/$
- ID/OD mirror polished &  
ID  $Ra \leq 0.5\mu\text{m}/$ OD sand blasted.....

# Pneumatic/Manual Diaphragm Valve 2WAY



## 3A/BPE

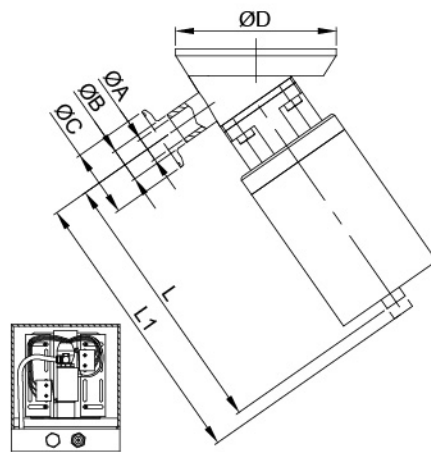
SIZE	1/2"	3/4"	1"	1.5"	2"
ØA	9.4	15.75	22.1	34.8	47.5
ØB	12.7	19.05	25.4	38.1	50.8
ØC-3A	25	25	50.5	50.5	64
ØC-BPE	25	25	25/50.39	50.39	63.91
ØD	60	60	95	95	118
ØE	60	60	85	85	133
F1	122	122	212	217	315
F2	131	131	225	232	333
G1	74	74	100	119	135
G2	83	83	113	134	153
L	88.9	101.6	114.3	139.7	158.8
L1	124	135	141.2	168.4	190.5



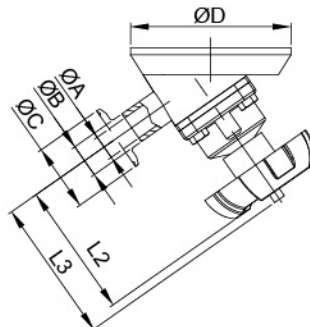
## DIN

DIN	DN10	DN20	DN25	DN32	DN40	DN50
ØA	10	20	26	32	38	50
ØB	13	23	29	35	41	53
ØC	34	34	50.5	50.5	50.5	64
ØD	—	60	60	95	95	118
ØE	60	85	85	85	85	133
F1	122	212	212	217	217	315
F2	131	225	225	232	232	333
G1	74	100	100	119	119	135
G2	83	113	113	134	134	153
L	88.9	101.6	114.3	139.7	139.7	158.8
L1	124	135	141.2	168.4	168.4	190.5

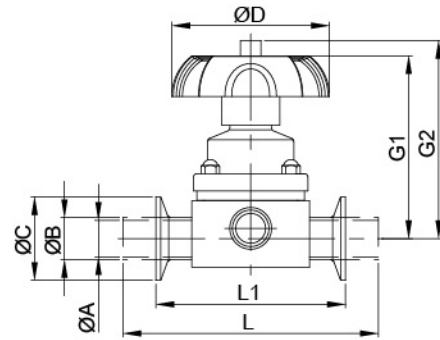
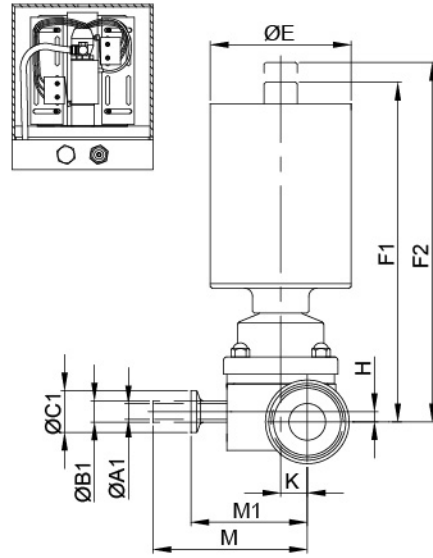
# Diaphragm Tank Bottom Valve



SIZE	1/2"	3/4"	1"	1.5"	2"
ØA	9.4	15.75	22.1	34.8	47.5
ØB	12.7	19.05	25.4	38.1	50.8
ØC	25	25	50.5	50.5	64
ØD	100	100	120	160	160
L	122	122	212	217	315
L1	131	131	225	232	333
L2	74	74	100	119	135
L3	83	83	113	134	153

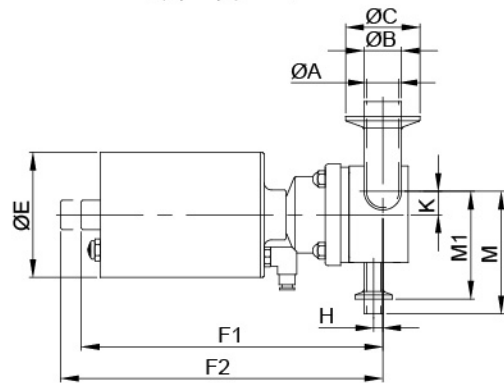
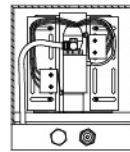
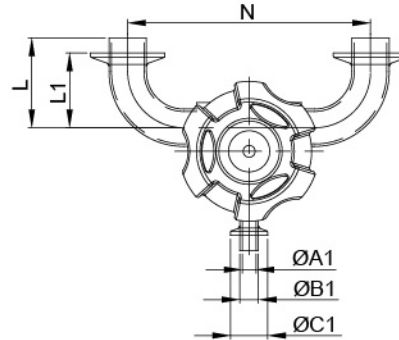
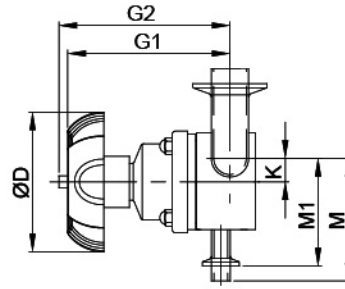


# Pneumatic/Manual Diaphragm Valve T-TYPE 3WAY



SIZE	1/2"x1/2"	1/2"x3/4"	1/2"x1"	1/2"x1.5"	1/2"x2"	3/4"x3/4"	3/4"x1"	3/4"x1.5"	3/4"x2"	1"x1"	1"x1.5"	1"x2"	1.5"x1.5"	1.5"x2"	2"x2"
ØA	9.4	15.75	22.1	34.8	47.5	15.75	22.1	34.8	47.5	22.1	34.8	47.5	34.8	47.5	47.5
ØB	12.7	19.05	25.4	38.1	50.8	19.05	25.4	38.1	50.8	25.4	38.1	50.8	38.1	50.8	50.8
ØC	25	25	50.5	50.5	64	25	50.5	50.5	64	50.5	50.5	64	50.5	64	64
ØA1	9.4	9.4	9.4	9.4	9.4	15.75	15.75	15.75	15.75	22.1	22.1	22.1	34.8	34.8	47.5
ØB1	12.7	12.7	12.7	12.7	12.7	19.05	19.05	19.05	19.05	25.4	25.4	25.4	38.1	38.1	50.8
ØC1	25	25	25	25	25	25	25	25	25	50.5	50.5	50.5	50.5	50.5	64
ØD	60	60	60	60	60	60	60	60	60	95	95	95	95	95	118
ØE	60	60	60	60	60	60	60	60	60	85	85	85	85	85	133
F1	122	122	122	122	122	122	122	122	122	212	212	212	217	217	315
F2	131	131	131	131	131	131	131	131	131	225	225	225	232	232	333
G1	74	74	74	74	74	74	74	74	74	100	100	100	119	119	135
G2	83	83	83	83	83	83	83	83	83	113	113	113	134	134	153
H	—	6.18	13.2	19.5	19.5	4.5	10.7	17.5	17.5	6.2	14.5	18.4	6.2	13.7	—
K	6.8	9.98	13.15	19.5	25.85	9.98	13.15	19.5	25.85	16.05	22.4	28.75	22.4	28.75	28.75
L	139.7	139.7	154	153.6	153.6	139.7	153.6	153.6	153.6	172.6	172.6	172.6	197.6	197.6	211.6
L1	88.9	88.9	114.3	114.3	114.3	88.9	114.3	114.3	114.3	114.3	114.3	114.3	139.7	139.7	158.8
M	69.4	72.58	75.75	82.1	88.45	72.58	75.75	82.1	88.45	86.65	93	99.35	105	111.35	123.75
M1	51	54.18	57.35	63.7	70.05	54.18	57.35	63.7	70.05	70.6	74.6	80.95	86.6	92.95	98.95

# Pneumatic/Manual Diaphragm Valve 3WAY/U-Bend Valve



SIZE	1/2"x1/2"	3/4"x1/2"	1"x1/2"	1.5"x1/2"	2"x1/2"	3/4"x3/4"	1"x3/4"	1.5"x3/4"	2"x3/4"	1"x1"	1.5"x1"	2"x1"	1.5"x1.5"	2"x1.5"	2"x2"
ØA	9.4	15.75	22.1	34.8	47.5	15.75	22.1	34.8	47.5	22.1	34.8	47.5	34.8	47.5	47.5
ØB	12.7	19.05	25.4	38.1	50.8	19.05	25.4	38.1	50.8	25.4	38.1	50.8	38.1	50.8	50.8
ØC	25	25	50.5	50.5	64	25	50.5	50.5	64	50.5	50.5	64	50.5	64	64
ØA1	9.4	9.4	9.4	9.4	9.4	15.75	15.75	15.75	15.75	22.1	22.1	22.1	34.8	34.8	47.5
ØB1	12.7	12.7	12.7	12.7	12.7	19.05	19.05	19.05	19.05	25.4	25.4	25.4	38.1	38.1	50.8
ØC1	25	25	25	25	25	25	25	25	25	50.5	50.5	50.5	50.5	64	64
ØD	60	60	60	60	60	60	60	60	60	95	95	95	95	95	118
ØE	60	60	60	60	60	60	60	60	60	85	85	85	85	85	133
F1	122	122	122	122	122	122	122	122	122	212	212	212	217	217	315
F2	131	131	131	131	131	131	131	131	131	225	225	225	232	232	333
G1	74	74	74	74	74	74	74	74	74	100	100	100	119	119	135
G2	83	83	83	83	83	83	83	83	83	113	113	113	134	134	153
H	—	6.18	13.44	19.5	19.5	4.5	10.7	17.5	17.5	6.2	14.5	18.4	6.2	13.7	—
K	6.8	9.98	13.15	19.5	25.85	9.98	13.15	19.5	25.85	16.05	22.4	28.75	22.4	28.75	28.75
L	57.15	66.68	76.2	95.3	120.7	66.68	76.2	95.3	120.7	76.2	95.3	120.7	95.3	120.7	120.7
L1	31.75	41.25	50.8	69.9	88.9	41.28	50.8	69.9	88.9	50.8	69.9	88.9	69.9	88.9	88.9
M	69.4	72.85	75.75	82.1	88.45	72.58	72.75	82.1	88.45	70.6	93	99.35	105	111.35	123.75
M1	51	54.18	57.35	63.7	70.05	54.18	57.35	63.7	70.05	68.25	74.6	80.95	86.6	92.95	98.95
N	101.7	120.7	165.1	203.3	241.3	120.7	165.1	203.3	241.3	165.1	203.3	241.3	228.7	266.7	285.8