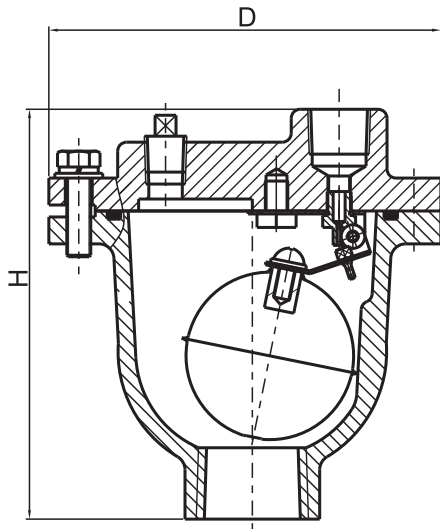


Air Release Valve

Screw End

AFF-AV-97N



Working pressure
200PSI

Connection Ends
NPT/BSPT/BSPP

Materials List

Part	Material	ASTM Spec.
Body	Ductile Iron	A536 65-45-12
Cover	Ductile Iron	A536 65-45-12
Level	Stainless Steel	AISI 304
Seat Ring	Stainless Steel	AISI 304
Float	Stainless Steel	AISI 304
Float Arm	Stainless Steel	AISI 304
Orifice Button	Viton	Commercial

Dimensions

mm	DN		Inlet	Outlet	Orifice	D	H
	inch						
15	1/2		15	15	1.6	125	137
20	3/4		20	15	1.6	125	137
25	1		25	15	1.6	125	137