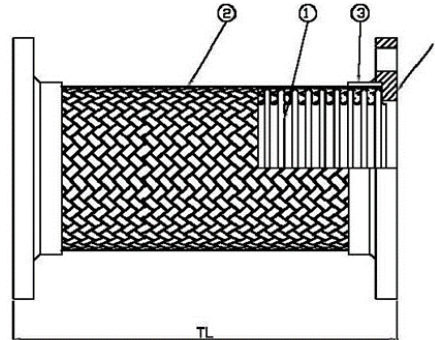
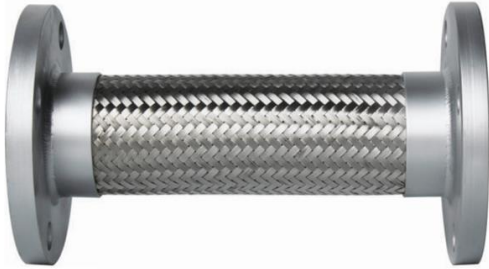


STAINLESS STEEL FLEXIBLE JOINT FLANGE END

Model: SSFH-FE



TECHNICAL DATA

SPECIFICATION STANDARDS

Standard: BS-EN

Face to face: L = 300/500mm or upon request.

Working medium: Cold / Hot water, Air, Gas, Oil, Steam

Working pressure: 10/16/25 Bar

Working temperature: < 250°C

Flanges end to JIS 10K, BS 4504 / BS EN1092, ANSI

Other flange standards available upon request

STANDARD MATERIALS OF MAIN PARTS

NO	PART NAME	MATERIAL
1	CORRUGATES HOSE	SS304
2	BRAID	SS304
3	COLLAR RING	SS304
4	FLANGE	CAST STEEL/ STANILESS STEEL

DIMENSION (mm)

DN	INCH	LENGHT	PN	DN	INCH	LENGHT	PN
DN15	½"	300/500	10/16/25	DN150	6"	300/500	10/16/25
DN20	¾"	300/500	10/16/25	DN200	8"	300/500	10/16/25
DN25	1"	300/500	10/16/25	DN250	10"	300/500	10/16/25
DN32	1 ¼"	300/500	10/16/25	DN300	12"	300/500	10/16/25
DN40	1 ½"	300/500	10/16/25	DN350	14"	300/500	10/16
DN50	2"	300/500	10/16/25	DN400	16"	300/500	10/16
DN65	2 ½"	300/500	10/16/25	DN450	18"	300/500	10/16
DN80	3"	300/500	10/16/25	DN500	20"	300/500	10/16
DN100	4"	300/500	10/16/25	DN550	22"	300/500	10/16
DN125	500	300/500	10/16/25	DN600	24"	300/500	10/16